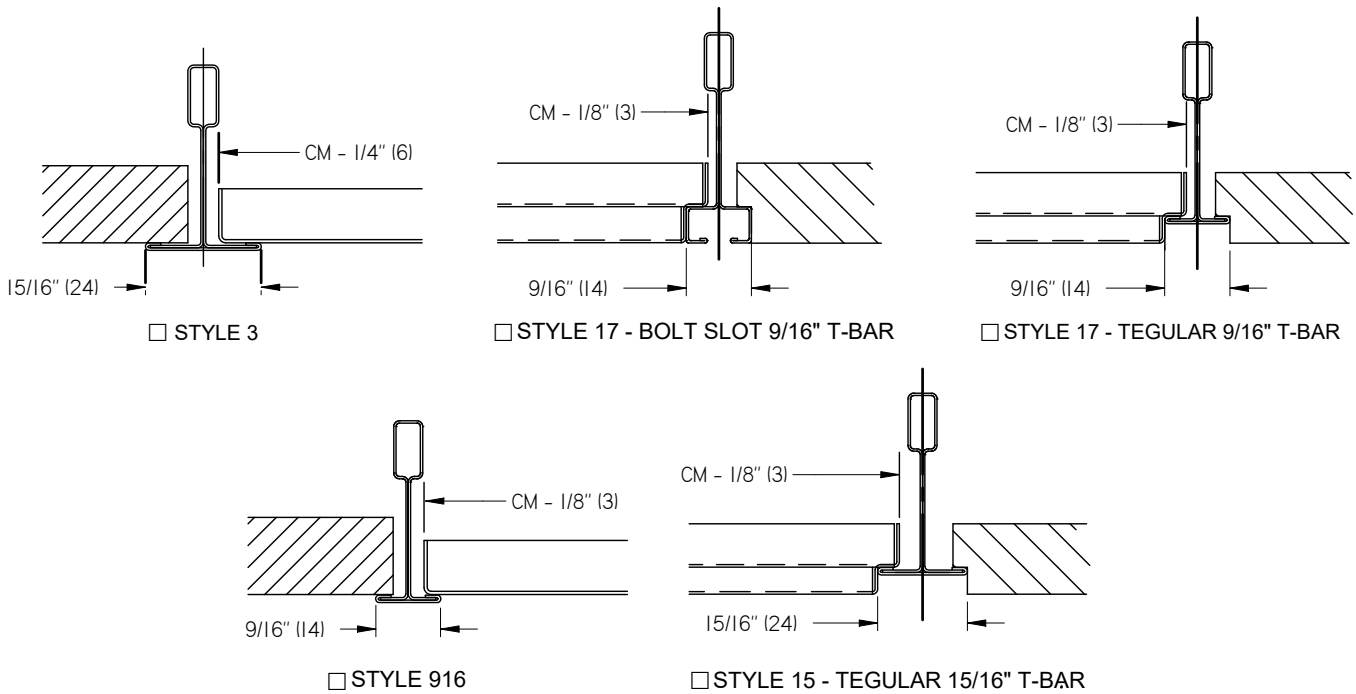
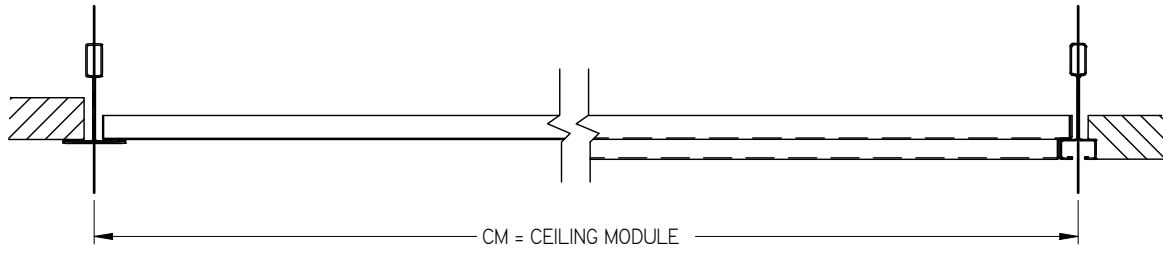


PFRF - PERFORATED CEILING MODULE



NOTES:

- FOR T-BAR CEILING APPLICATION
- FACTORY TOLERANCE +/- 1/16" (2)

CEILING MODULE IMPERIAL	CEILING MODULE METRIC
<input type="checkbox"/> 12x12	<input type="checkbox"/> 300x300
<input type="checkbox"/> 20x20	<input type="checkbox"/> 500x500
<input type="checkbox"/> 24x12	<input type="checkbox"/> 600x300
<input type="checkbox"/> 24x24	<input type="checkbox"/> 600x600
<input type="checkbox"/> 48x24	<input type="checkbox"/> 1200x600

MATERIAL:

- STEEL CONSTRUCTION
- ALUMINUM CONSTRUCTION
- STAINLESS STEEL CONSTRUCTION

FINISH:

- PERFORATED FACE PANEL
- B12 WHITE (OPTIONAL FINISHES AVAILABLE)

ALL METRIC DIMENSIONS () ARE SOFT CONVERTED. IMPERIAL DIMENSIONS ARE CONVERTED TO METRIC AND ROUNDED TO THE NEAREST MILLIMETER.

PROJECT:		
ENGINEER:		
CUSTOMER:		 225375
SUBMITTAL DATE:	SPEC. SYMBOL:	2016/10/26
		PFRF PERFORATED FLAT RETURN FACE CEILING PANEL